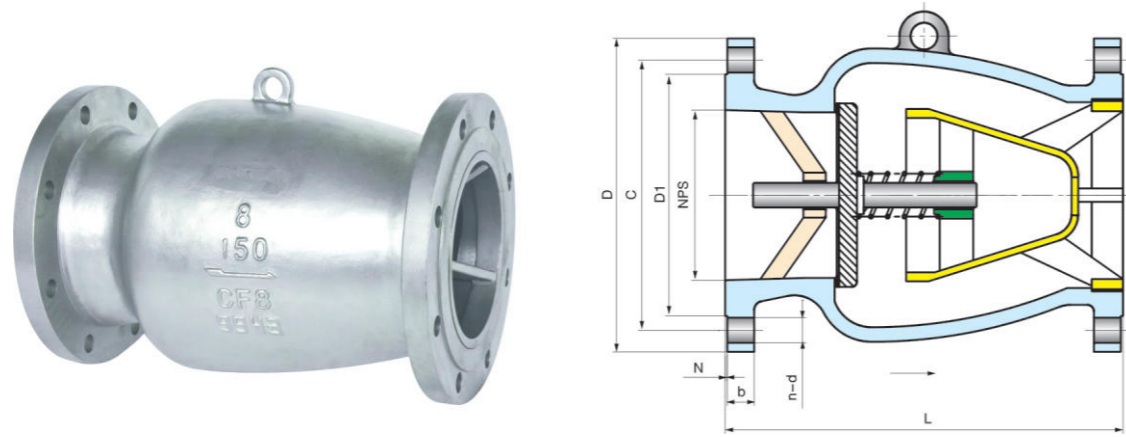


用途 Use

轴流式止回阀具有一般止回阀的功能外，它还设计有减震弹簧，具有消声，减震效果。便于用户现场检修，独特的轴流式结构具有流阻小流量大，外形尺寸小等特点，是国内外油气集输管网系统，特别是输油泵出口的优选阀门。它适用于油、气、水浆液等管道系统，防止介质逆流使用。

Except of the general function of check valve, the axial flow check valve has the advantages of small noise and lower impact with the using of a spring. With the axial flowing structure, the valve has characteristic of small fluid resistance, great flow capacity, and small outer dimension which makes this valve a wonderful choice using on the outlet of pump in pipeline system transporting oil and gas. It is used on the pipeline transporting oil, gas, water and etc. For non-return demanding condition.



结构特点 Structure Features

- 1、单体结构，重量轻，刚性好，便于维护。
- 2、弹簧的的推力使阀瓣在即使使用无介质压力作用时，也能处理关闭位置。
- 3、良好的支承方式使阀门无论处于什么安装位置时阀瓣和阀座均能良好对中，故阀门可任意角度安装。
- 4、阀套外形的流线型设计与体腔流线型设计的组合构成了轴流式止回阀流线型流道，精确的计算和设计使流道的过流面积充分且保持一致，压力损失小，流态稳定，无气蚀。阀瓣在介质流动时产生负压及弹簧推力下回座，无介质对阀瓣背面直接冲击；因此，轴流式止回阀是低噪音阀门。
- 5、阀瓣前后两端支承和阀瓣轴的特殊表面处理及结构设计，克服了类似阀门使用过程中经常发生的卡阻现象，启闭平稳；同时避免了因重力因素造成阀瓣对中性差，密封副受力不均，两次动作间密封副吻合部位不一致而影响密封性能的缺陷，使密封副始终处于良好的受力和吻合状态。
- 6、精确的设计使用弹簧推力在阀瓣处于关闭位置时略大于阀瓣重力及阀瓣和前后支承间的摩擦力之和，阀瓣既可在低压力及任意安装时回座密封，又能实现低压开启，减低泵启动载荷，保护泵的运行安全。

1. One-piece body, small weight, good strength, and easy maintenance.
2. The thrust force of spring enables the valve stayed in closed position even without the force of medium.
3. Wonderful sealing carrier makes the valve able to be installed at any direction, and the disc can tough the seat sealing perfectly.
4. Axial flow structure and accurate flowing passage enables little pressure loss, stable medium flowing, and non cavitation erosion. The disc returns to the sealing position with the force of spring and sub-pressure caused by medium flowing. So there is No. Direct impact of the medium onto the back side of the disc. Axial flow check valve is a low-noise type.
5. The special structure and surface treatment of the disc carrier and pin eliminates the phenomenon of valve sticking. It can close and open evenly to avoid the common defects of disc can not stay in the center of sealing position because of the gravity of disc. So the valve has wonderful and lasting sealing effect.
6. In closed position, and accurate design makes the thrust force of spring is a little bigger than the force of disc's gravity plus the friction force between disc and sealing ring. And the disc can return to its sealing position under low pressure despite of any installation position so as to protect the operation of pump.

技术规范 Technical Specifications

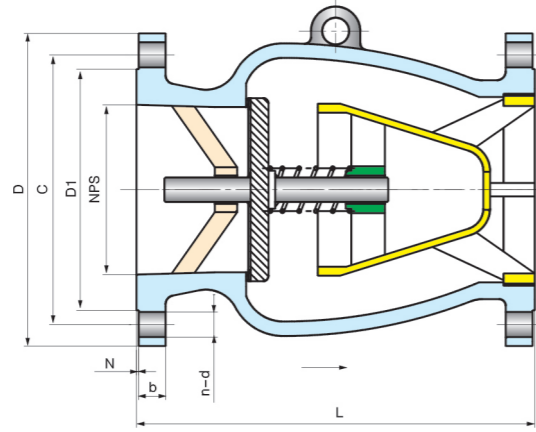
设计依据 Design Basis	GB	API/ASME
设计标准 Design Standard	GB/T 21387	API 6D ASME B16.34
结构长度 Face-to-Face	GB/T 12221	API 6D ASME B16.10
连接端* Connection End	法兰连接 Flanged	GB/T 9113 ASME B16.5
抗硫材料要求 Materials	NACE MR0175	
试验和检验 Test and Check	GB/T 26480	API 598

\* 阀门连接端的连接法兰标准和对焊端尺寸可按用户要求设计制造。  
The valve connection end standard designed and manufactured according to user requirements.

主要零件与材质 Main Parts and Materials

常规型 Conventional Type

零件名称 Part Name	碳钢 Carbon Steel		低温碳钢 Low Temp Steel		不锈钢 Stainless Steel	
	GB	ASTM	GB	ASTM	GB	ASTM
阀体 Body	WCB	A216-WCB	LCB LCC	A352-LCB A352-LCC	CF8 CF8M	A351-CF8 A351-CF8M
阀瓣 Disc	WCB	A216-WCB	LCB LCC	A352-LCB A352-LCC	CF8 CF8M	A351-CF8 A351-CF8M
导向装置 Guiding part	WCB	A216-WCB	LCB LCC	A352-LCB A352-LCC	CF8 CF8M	A351-CF8 A351-CF8M
轴套 Sleeve	12Cr18Ni9	SS304	12Cr18Ni9 00Cr17Ni12Mo2	SS304	12Cr18Ni9 00Cr17Ni12Mo2	SS304 SS316
弹簧 Spring	SS304、SS316、Inconel X-750					



口径 Size		CLASS 150		PN10/16/25		CLASS 300		PN40	
NPS	DN	L		L		L		L	
		RF/BW	RTJ	长系列	短系列	RF/BW	RTJ	长系列	短系列
2	50	203	-	203	130	267	-	267	130
2 1/2	65	216	-	216	160	292	-	292	160
3	80	241	-	241	180	318	-	318	180
4	100	292	-	292	200	356	-	356	200
5	125	330	-	330	230	400	-	400	230
6	150	356	-	356	270	444	-	444	270
8	200	495	-	495	330	533	-	533	330
10	250	622	-	622	370	622	-	622	370
12	300	698	-	698	450	711	-	711	450
14	350	787	-	787	520	838	-	838	520
16	400	864	-	864	580	864	-	864	580
18	450	978	-	978	650	978	-	978	650
20	500	978	-	978	720	1016	-	1016	720
24	600	1295	-	1295	980	1346	-	1346	980
28	700	1448	-	1448	1180	1449	-	-	-
30	750	1524	-	-	-	1594	-	-	-
36	900	1956	-	-	-	2083	-	-	-

口径 Size		CLASS 600		PN100		CLASS 900		PN160	
NPS	DN	L		L		L		L	
		RF/BW	RTJ	长系列	短系列	RF/BW	RTJ	长系列	短系列
2	50	292	295	292	170	368	371	368	200
2 1/2	65	330	333	330	190	419	422	419	230
3	80	356	359	356	220	381	384	381	260
4	100	432	435	432	260	457	460	457	300
5	125	508	511	508	300	559	562	559	350
6	150	559	562	559	340	610	613	610	390
8	200	660	664	660	420	737	740	737	480
10	250	787	791	787	480	838	841	838	550
12	300	838	841	838	590	965	968	965	670
14	350	889	892	889	650	1092	1038	-	-
16	400	991	994	991	720	1130	1140	-	-
18	450	1092	1095	1092	770	1219	1232	-	-
20	500	1194	1200	1194	850	1321	1334	-	-
24	600	1397	1407	-	-	1549	1568	-	-
28	700	1600	-	-	-	-	-	-	-
30	750	1651	-	-	-	-	-	-	-
36	900	2083	-	-	-	-	-	-	-

口径 Size		CLASS 1500		CLASS 2500	
NPS	DN	L		L	
		RF/BW	RTJ	RF/BW	RTJ
2	50	368	371	451	454
2 1/2	65	419	422	508	514
3	80	470	473	578	584
4	100	546	549	673	683
5	125	673	676	794	807
6	150	705	711	914	927
8	200	832	841	1022	1038
10	250	991	1000	1270	1292
12	300	1130	1146	1422	1445
14	350	1257	1276	-	-
16	400	1384	1407	-	-
18	450	1537	1559	-	-
20	500	1664	1686	-	-
24	600	1943	1972	-	-